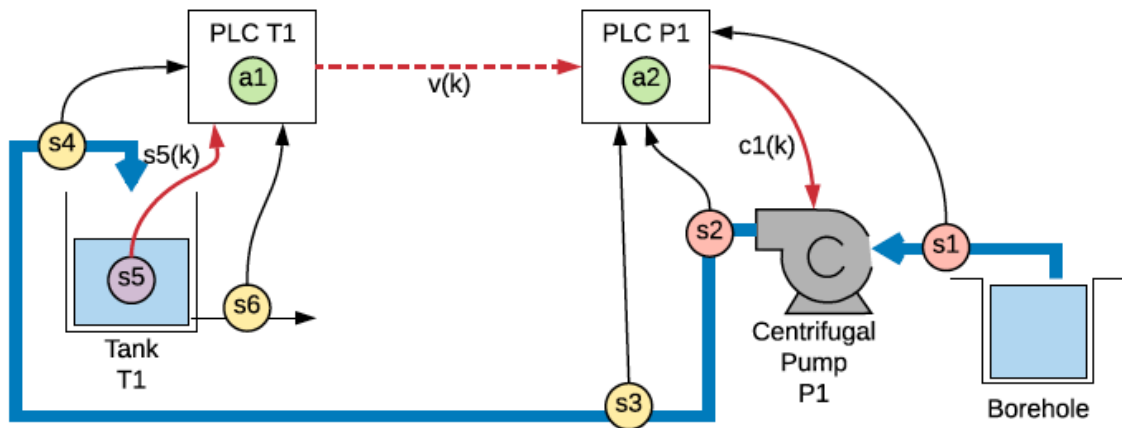


ECE803 Tutorial Sheet 4

Friday, 2 December

This tutorial is about Risk Management and Assessment.

Consider the water distribution system from the notes:



Assuming that the PLCs are MicroLogix 1100s with the vulnerability CVE-2016-0868 unpatched, perform a risk assessment by considering threats and their likely impact. You could start at <https://nvd.nist.gov/vuln/detail/CVE-2016-0868> to find out more about this vulnerability and follow the links to the CISA website.